



Linde Material Handling

*Linde*



## Reach Truck

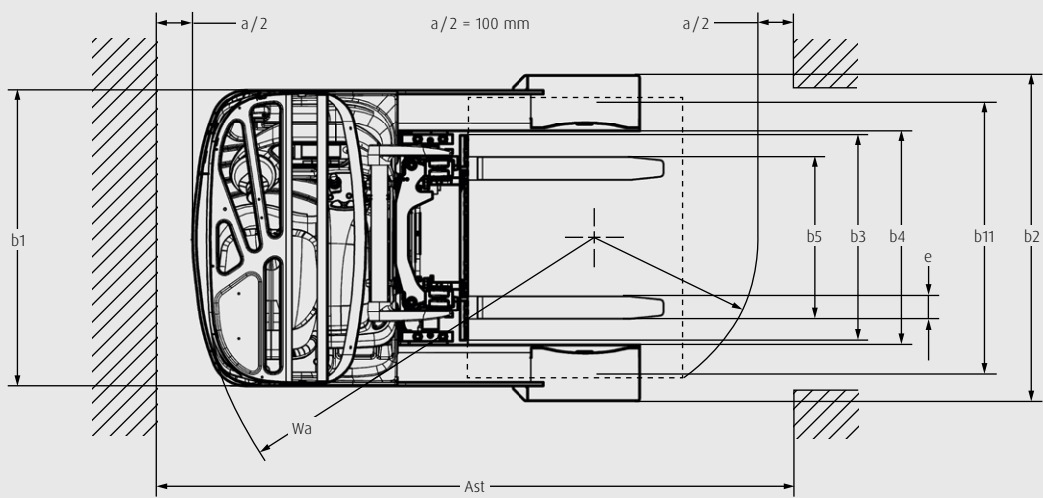
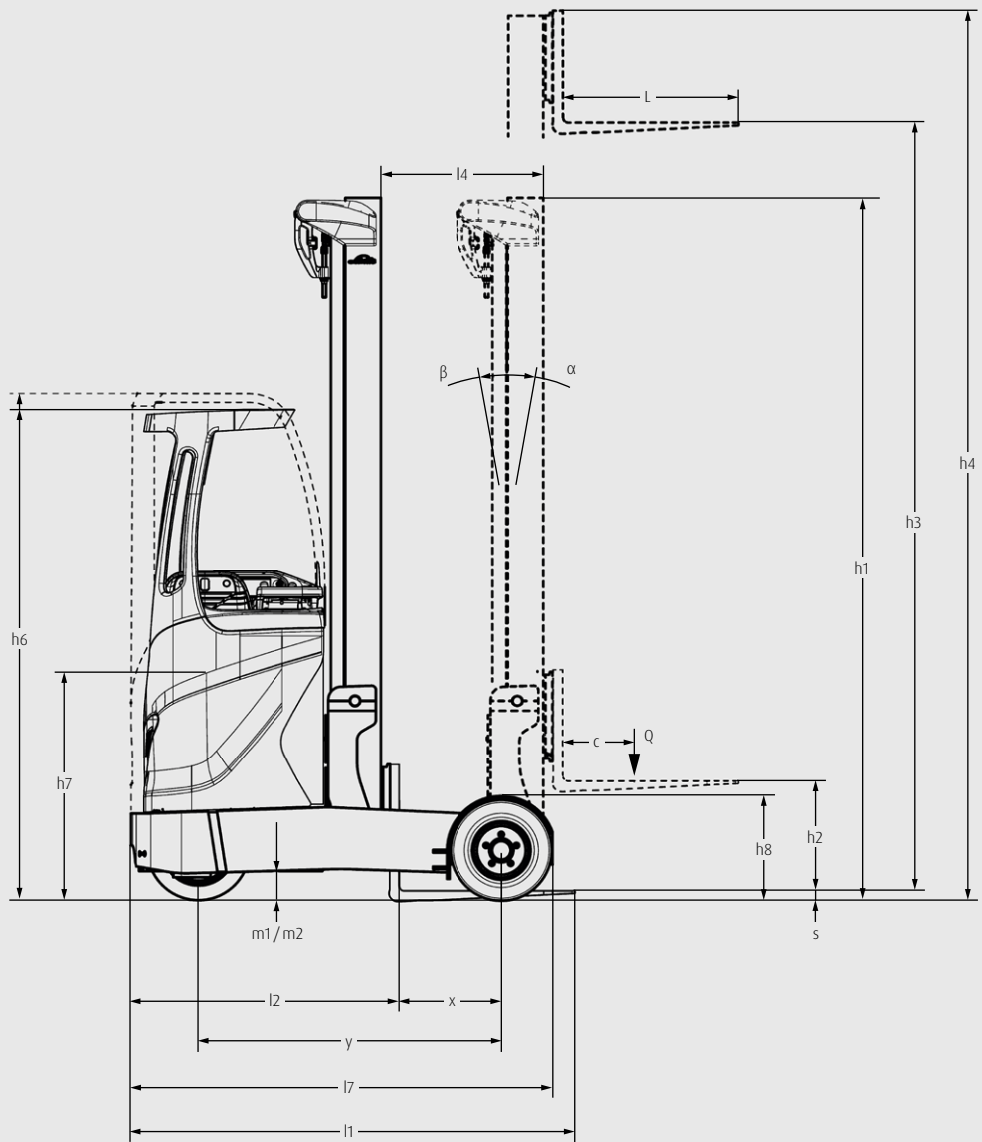
# R14 - R20 G

Capacity 1.4 - 2.0 t | Series 1120

### Multi-talent with outstanding operating comfort

- Ideal solution for changing environments during hall and yard loading and unloading processes
- Optimum driving comfort through oversize super-elastic wheels, suspended drive unit, higher ground clearance and resiliently mounted cabin
- Efficient load handling in narrow shelf aisles thanks to powerful motors and extensive safety features
- Built-in safety with monitoring system that stops the truck upon traction, steering or lift failure





# MAST TABLES

## STANDARD MAST (in mm)

Series	1500									
Lift	h3: 4910		h3: 5210		h3: 5710		h3: 6360		h3: 6510	
Height measurements	h1: 2294	h2: 1557	h1: 2394	h2: 1657	h1: 2594	h2: 1857	h1: 2844	h2: 2107	h1: 2894	h2: 2157
	h3: 4910	h4: 5652	h3: 5210	h4: 5952	h3: 5710	h4: 6452	h3: 6360	h4: 7102	h3: 6510	h4: 7252
Model										
R14 G-R20 G	<input type="radio"/>		<input type="radio"/>		<input type="radio"/>		<input type="radio"/>		<input type="radio"/>	

Series	1500									
Lift	h3: 6660		h3: 6810		h3: 7260		h3: 7410		h3: 7710	
Height measurements	h1: 2944	h2: 2207	h1: 2994	h2: 2257	h1: 3144	h2: 2407	h1: 3194	h2: 2457	h1: 3294	h2: 2557
	h3: 6660	h4: 7402	h3: 6810	h4: 7552	h3: 7260	h4: 8002	h3: 7410	h4: 8152	h3: 7710	h4: 8452
Model										
R14 G-R20 G	<input type="radio"/>		<input type="radio"/>		<input type="radio"/>		<input type="radio"/>		<input type="radio"/>	

Optional equipment

**h1:** Height of mast, lowered

**h2:** Free lift

**h3:** Lift

**h4:** Height of mast, extended



# STANDARD AND OPTIONAL EQUIPMENT

	Model/Equipment	R14 - R20 G
Safety	Linde Curve Assist	●
	Electrical and hydraulic overload protection	●
	Seat-actuated traction interlock	●
	Battery lock with creep speed interlock	●
	Protective polycarbonate screen between console and mast	●
	Lift height related travel speed reduction	●
	Automatic slowdown at end of reach travel and at maximum lift	●
Service	Sealed, maintenance-free AC 6.5 kW drive and 14 kW lift motors	●
Digitalization	Comprehensive digital instrument display	●
	Connect Linde Fleet Management	○
	Radio data terminal bracket	○
Operation/Load Handling	Linde Digital Control System (LDC)	●
	Linde rheological 180° electric steering with tactile feedback	●
	Single axis joysticks	○
	Multifunction Lever	○
	Lift height indicator above free lift zone	●
	Lift height pre-selector	○
Environment	Fan underneath overhead guard	○
	Height adjustable armrest	○
	Modular ambient cabin versions	○
Electronics	Electric horn and emergency isolator	●
	12 V USB + auxiliary power socket	○
	Linde batteries and charger	○
	Linde Li-ION truck version and Li-ION batteries	○
Workplace	Fully adjustable air suspension seat	●
	Linde twin accelerator pedals	●
	Resiliently mounted operator's compartment	●
	Integral, adjustable control console	●
	Single accelerator pedal	○
	Heated seat	○
	High vision armored glass roof	○
	Wind protection door	○
Mast	Torsion-resistant fixed clear view triplex mast	○
	Integral side shift	○
Attachment/Forks	Side shift centering	○
	Additional hydraulic circuit for attachments	○
Axles and Tyres	Super-elastic load wheel tires and durable rubber drive tyres	●
	Standard load wheel SE non marking	○
	Cushion rubber drive wheel non marking	○
	Metal or indoor bump stops polyurethane	○
Drive and Brake-System	Four independent braking systems. Regenerative and counter current braking, holding brake control with automatic parking brake and all-wheel brake system	●
Lighting	LED working lights at over head guard	○
	Rotating/flashing beacon	○
	Blue Spot™ / TruckSpot safety light	○
	Red Warning Lines	○

● Standard equipment

○ Optional equipment

# CHARACTERISTICS



Ergonomics as standard

## Ergonomics

- Maximum operating comfort due to Multifunction Lever and padded armrests with the preciseness of Linde Load Control
- Weight-dependent air cushioning and individually adjustable driver's seat made for extremely comfortable operation
- Low entry vibration-free cabin isolated from chassis prevents fatigue
- Efficient work through padded armrests with integrated Multifunction Lever
- Intuitive, individually adaptable operation of all consoles
- Unique Linde drive unit suspension to absorb vibrations and road shocks



Multifunction Lever

## Handling

- Perfect for the varying requirements of combined indoor and outdoor applications
- Exceptionally comfortable handling due to oversized load wheels and greater ground clearance
- Precise operation through individually adjustable steering resistance and Linde Load Control
- Short wheelbase, compact dimensions and 180° steering offer unrivalled maneuverability



Excellent visibility

## Safety

- Assisted load handling through lifting height display and optional load weight capture
- Four braking systems including self-adjusting load wheel brakes ensure rapid stop in hazardous situations
- Protection of the operator for instance in narrow aisles thanks to shoulder-protection frame
- Auto-speed adjustment in bends due to Linde Curve Assist



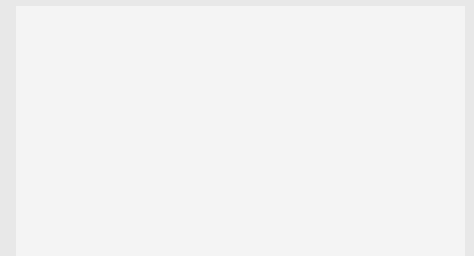
Easily accessible service points

## Service

- Maintenance-free motors and uptime ratios of 1000 hours between services ensure high reliability and low costs
- Easy access to all service components
- Laptop overview of truck data and individual adjustment of performance parameters to suit customer requirements
- Pneumatic sprung driver's seat provides quick access to electronic and mechanical components

Subject to modification in the interest of progress. Illustrations and technical details could include options and not binding for actual constructions. All dimensions subject to usual tolerances.

Presented by:



**Linde Material Handling GmbH**  
Carl-von-Linde-Platz | 63743 Aschaffenburg | Germany  
Phone + 49 6021 99 0 | Fax + 49 6021 99 1570  
www.linde-mh.com | info@linde-mh.com

Printed in Germany | 152.e.2.1020.IndE.se