



## Pallet Trucks

# T14 – T20

Capacity 1.4 t, 1.6 t, 1.8 t and 2.0 t | Series 1155

### Compact Transport Helper

- Compact design for easy and fast maneuvering in confined spaces
- Easy steering and operation for relief during physically demanding tasks
- Robust chassis and reinforced forks for transporting loads up to two tons
- T14 and T16 models specially designed for operations in confined spaces, e.g., delivering goods by truck in urban areas

# TECHNICAL DATA (According to VDI 2198)

			LINDE	LINDE	LINDE	LINDE	
			T14	T16	T18	T20	
Characteristics	1.1	Manufacturer		LINDE	LINDE	LINDE	LINDE
	1.2	Manufacturer's type designation		T14	T16	T18	T20
	1.2a	Series		1155	1155	1155	1155
	1.3	Power unit		Battery	Battery	Battery	Battery
	1.4	Operation		Pedestrian	Pedestrian	Pedestrian	Pedestrian
	1.5	Load capacity/Load	Q (t)	1.4	1.6	1.8	2.0
	1.6	Load centre distance	c (mm)	600	600	600	600
	1.8	Axle centre to fork face	x (mm)	893/965 <sup>1)2)</sup>	893/965 <sup>1)2)</sup>	893/965 <sup>1)2)</sup>	893/965 <sup>1)2)</sup>
	1.9	Wheelbase	y (mm)	1160/1232	1230/1302	1230/1302	1305/1377
Weights	2.1	Service weight	(kg)	329 <sup>3)</sup>	412 <sup>3)</sup>	412 <sup>3)</sup>	501 <sup>3)</sup>
	2.2	Axle load with load, front/rear	(kg)	609/1120	672/1340	718/1494	858/1643
	2.3	Axle load without load, front/rear	(kg)	256/73 <sup>3)</sup>	317/95 <sup>3)</sup>	317/95 <sup>3)</sup>	390/111 <sup>3)</sup>
Wheels / Tyres	3.1	Tyres rubber, SE, pneumatic, polyurethane		Polyurethane	Polyurethane	Polyurethane	Polyurethane
	3.2	Tyre size, front		Ø 230 × 75	Ø 230 × 75	Ø 230 × 75	Ø 230 × 75
	3.3	Tyre size, rear		Ø 85 × 105 (Ø 85×100) <sup>4)</sup>	Ø 85 × 105 (Ø 85 × 100) <sup>4)</sup>	Ø 85 × 105 (Ø 85 × 100) <sup>4)</sup>	Ø 85 × 105 (Ø 85 × 100) <sup>4)</sup>
	3.4	Auxiliary wheels (dimensions)		2x Ø 125 × 40	2x Ø 125 × 40	2x Ø 125 × 40	2x Ø 125 × 40
	3.5	Wheels, number front/rear (x = driven)		1x + 2/2 (1x + 2/4) <sup>4)</sup>	1x + 2/2 (1x + 2/4) <sup>4)</sup>	1x + 2/2 (1x + 2/4) <sup>4)</sup>	1x + 2/2 (1x + 2/4) <sup>4)</sup>
	3.6	Track width, front	b10 (mm)	482 <sup>2)</sup>	482 <sup>2)</sup>	482 <sup>2)</sup>	482 <sup>2)</sup>
	3.7	Track width, rear	b11 (mm)	355/375/395/515 <sup>2)</sup>	355/375/395/515 <sup>2)</sup>	355/375/395/515 <sup>2)</sup>	355/375/395/515 <sup>2)</sup>
Dimensions	4.4	Lift	h3 (mm)	125 <sup>2)</sup>	125 <sup>2)</sup>	125 <sup>2)</sup>	125 <sup>2)</sup>
	4.9	Height of tiller arm in operating position, min/max	h14 (mm)	810/1205 <sup>2)</sup>	810/1205 <sup>2)</sup>	810/1205 <sup>2)</sup>	810/1205 <sup>2)</sup>
	4.15	Height, lowered	h13 (mm)	86 <sup>5)</sup>	86 <sup>5)</sup>	86 <sup>5)</sup>	86 <sup>5)</sup>
	4.19	Overall length	l1 (mm)	1579 <sup>2)</sup>	1649 <sup>2)</sup>	1649 <sup>2)</sup>	1719 <sup>2)</sup>
	4.20	Length to fork face	l2 (mm)	429 <sup>2)</sup>	499 <sup>2)</sup>	499 <sup>2)</sup>	569 <sup>2)</sup>
	4.21	Overall width	b1/b2 (mm)	720 <sup>2)</sup>	720 <sup>2)</sup>	720 <sup>2)</sup>	720 <sup>2)</sup>
	4.22	Fork dimensions DIN ISO 2331	s/e/l (mm)	55 × 165 × 1150	55 × 165 × 1150	55 × 165 × 1150	55 × 165 × 1150
	4.25	Fork spread	b5 (mm)	520/540/560/680 <sup>2)</sup>	520/540/560/680 <sup>2)</sup>	520/540/560/680 <sup>2)</sup>	520/540/560/680 <sup>2)</sup>
	4.32	Ground clearance, centre of wheelbase	m2 (mm)	32/157 <sup>6)7)</sup>	32/157 <sup>6)7)</sup>	32/157 <sup>6)7)</sup>	32/157 <sup>6)7)</sup>
	4.33	Load dimension b12 × l6	b12 × l6 (mm)	800 × 1200	800 × 1200	800 × 1200	800 × 1200
	4.34	Aisle width predetermined load dimensions	Ast (mm)	2069	2142	2142	2211
4.34.2	Aisle width for pallets 800 × 1200 crossways	Ast (mm)	2165	2238	2238	2310	
4.35	Turning radius	Wa (mm)	1365/1437 <sup>1)9)</sup>	1438/1510 <sup>1)9)</sup>	1438/1510 <sup>1)9)</sup>	1510/1582 <sup>1)9)</sup>	
Performance	5.1	Travel speed, with/without load	(km/h)	6/6 <sup>11)</sup>	6/6 <sup>11)</sup>	6/6 <sup>11)</sup>	6/6 <sup>11)</sup>
	5.2	Lifting speed, with/without load	(m/s)	0.035/0.047 <sup>3)</sup>	0.035/0.046 <sup>3)</sup>	0.031/0.046 <sup>3)</sup>	0.033/0.042 <sup>3)</sup>
	5.3	Lowering speed, with/without load	(m/s)	0.064/0.027 <sup>3)</sup>	0.07/0.028 <sup>3)</sup>	0.073/0.028 <sup>3)</sup>	0.069/0.035 <sup>3)</sup>
	5.8	Maximum climbing ability, with/without load	(%)	13.0/20.0	10.0/20.0	9.0/20.0	9.0/20.0
	5.9	Acceleration time, with/without load	(s)	7.0/6.6	6.9/6.4	6.9/6.4	7.1/6.4
	5.10	Service brake		Electro-magnetic	Electro-magnetic	Electro-magnetic	Electro-magnetic
Drive	6.1	Drive motor rating S2 60 min	(kW)	1.1	1.3	1.3	1.3
	6.2	Lift motor rating at S3: 15 % use	(kW)	1.0	1.0	1.0	1.2
	6.3	Battery according to DIN 43531/35/36 A, B, C, no		Li-ION compact	2 PzS-B	2 PzS-B	43 535 B/2 PzS
	6.4	Battery voltage / rated capacity (5 h)	(V)/(Ah) o. kWh	24/62 (125) 12)	24/160	24/160	24/250
	6.5	Battery weight (± 5 %)	(kg)	22 <sup>3)</sup>	140	140	210
	6.6	Power consumption according to EN	(kWh/h)	0.27	0.259	0.26	0.3
	6.6.1	CO2 equivalent according to EN 16796	(kg/h)	0.147	0.14	0.14	0.162
	6.7	Turnover output	(t/h)	77.0	90.0	101.0	110.0
6.8	Turnover efficiency	(t/kWh)	129	145	163	176	
Others	8.1	Type of drive unit		AC control	AC control	AC control	AC control
	10.7	Sound pressure level LpAZ (at the driver's seat)	dB (A)	57 <sup>13)</sup>	63 <sup>13)</sup>	63 <sup>13)</sup>	63 <sup>13)</sup>

1) Forks upraised/lowered

2) (± 5 mm)

3) (± 10 %)

4) Figures in parenthesis with tandem load wheels

5) (-0/+5 mm)

6) Min./max.

7) (± 2 mm)

8) Including a 200 mm (min.) operating aisle clearance

9) With creep speed = tiller in vertical position

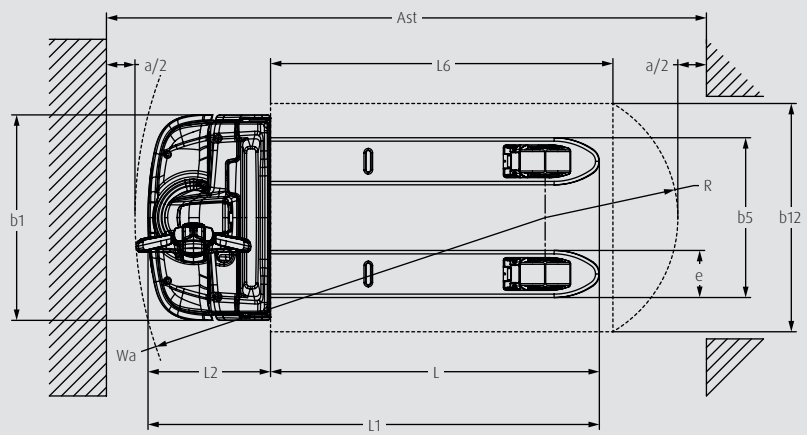
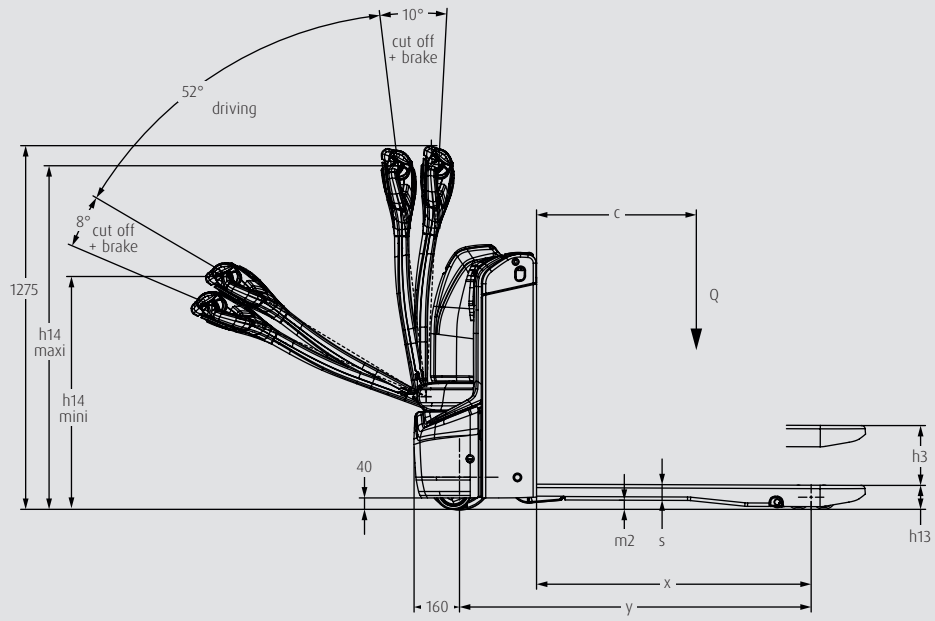
10) With fork length 1150 mm

11) (± 5 %)

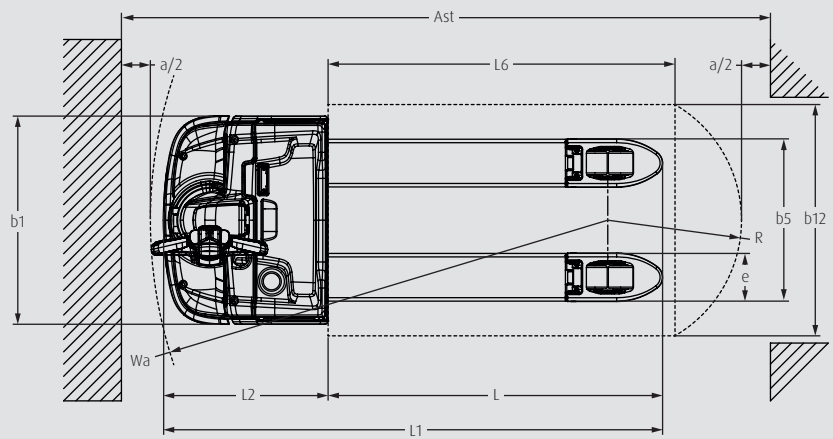
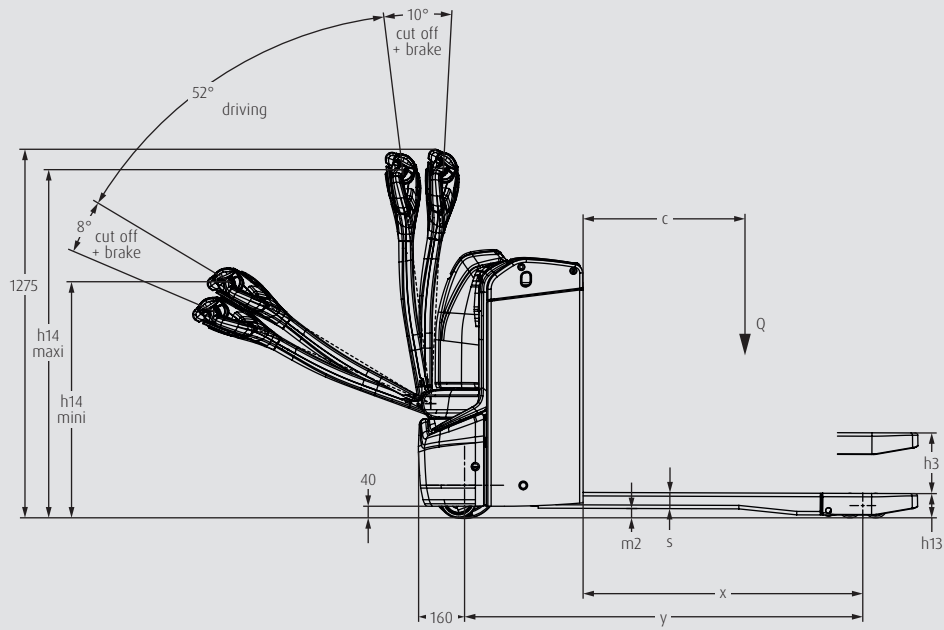
12) (Option)

13) (± 2.5)

# T14, T16



# T16, T18, T20



# STANDARD AND OPTIONAL EQUIPMENT

Model/Equipment		T14	T16	T18	T20
Safety	Smart active bumper – assistant system for feet protection	○	○	○	○
	Long tiller and low chassis skirt	●	●	●	●
	Automatic speed reduction when cornering	●	●	●	●
	Easily accessible emergency stop button	●	●	●	●
	Buzzer – privileged where low noise emission required	●	●	●	●
	Horn – privileged for noisy environment	○	○	○	○
	Key switch	●	●	●	●
	Log in PIN code	○	○	○	○
Service	CAN bus technology	●	●	●	●
Digitalisation	Data Transmission online	○	○	○	○
	Data Transmission Wifi	○	○	○	○
	Linde connect:desk – local fleet management with different functional modules	○	○	○	○
	Linde connect:cloud – fleet management as a service (hosted version)	○	○	○	○
	Pre-Operation-Check – individualizable daily check protocol for operational readiness	○	○	○	○
Operation / Load Handling	Proportional speed – speed depending on tiller angle	○	●	●	●
	Creep Speed – for operation with tiller in vertical position	○	○	○	○
	Multifunction display – hour meter, maintenance indication, battery discharge indicator and internal fault code indication	●	●	●	●
	Ergonomic tiller head with easy access to the controls	●	●	●	●
	Load backrest h = 1800 mm	○	○	○	○
	Accessory support	○	○	○	○
	Support clipboard and scanner	○	○	○	○
	Metallic battery cover	○	○	○	○
Environment	Coldstore -35 °C (in/out)	○	○	○	○
Attachment / Forks	Fork widths : 520 mm, 540 mm, 560 mm, 680 mm	○	○	○	○
	Fork length : 1000 mm, 1150 mm with overhang 188 mm	○	○	○	○
	Fork length : 1600 mm with overhang 188 mm, 2400 mm with overhang 563 mm	–	○	○	○
	Fork marking – easy handling of crosswise pallets	●	○	–	–
Axles and Tyres	Drive wheels Standard duty	●	●	●	●
	Drive wheels Heavy duty, High grip	○	○	○	○
	Single load wheels, polyurethane	●	●	●	●
	Tandem load wheels, polyurethane	○	○	○	○
	Single load wheels, polyurethane greasable	○	○	○	○
	Tandem load wheels, polyurethane greasable	○	○	○	○
	Triple load wheels, polyurethane	○	○	–	–
	Auto-adjustable castor wheels	○	○	○	○
Drive and Brake-System	Maintenance free AC motor	●	●	●	●
	Electromagnetic braking system	●	●	●	●
	Li-ION technology available – different battery capacities depending of the model with front, laterally or vertically mounted opportunity charging plug	●	○	○	○
	Lead acid battery technology	–	○	○	○
	Battery compartment, vertical compact	●	○	–	–
	Battery compartment, 2 PzS BS	–	○	○	–
	Battery compartment 2 PzS, lateral or vertical change	–	○	○	○
	Integrated charger for lead acid and Li-ION batteries	○	○	○	○
External chargers available	○	○	○	○	

● Standard equipment      ○ Optional equipment      – Not available

# CHARACTERISTICS



Long tiller and low mounted chassis

## Safety

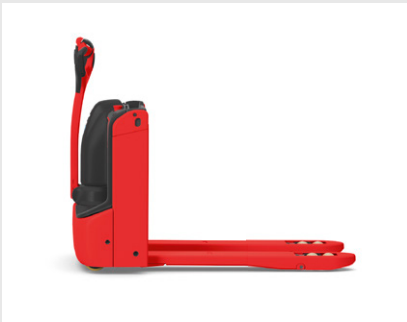
- Safety distance due to long tiller for effective accident protection
- Smart bumper and low chassis to prevent foot injuries
- Automatic electromagnetic brake and belly switch for reduced accident risk
- Automatic parking brake for firm footing on loading ramps or inclines



Shaped tiller head with intuitive controls

## Ergonomics

- Intuitive controls that can be operated with both hands
- Ergonomically shaped tiller head
- Multifunction display for overview of all important vehicle information
- Multiple storage areas for clip boards, foil rolls or scanners



Compact chassis

## Handling

- Compact chassis and small turning circle for optimum maneuverability in tight spaces
- Creep speed option for precise handling in tight spaces
- Booster function for short-term increase in power
- Optional compact Li-ION battery (for T14 and T16) for even more maneuverability



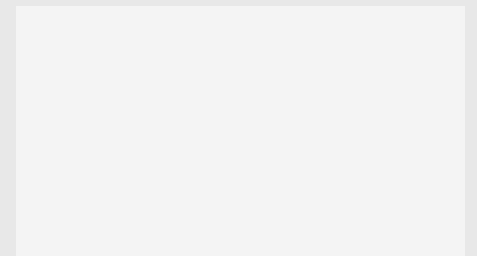
Easy access to internal components

## Service

- Robust AC motor for long maintenance intervals and lower operating costs
- Low-wear components for long service life and high availability
- Easy-to-reach service components for uncomplicated maintenance
- CAN bus architecture for easy access to all vehicle data
- Optional data transmission unit for remote diagnostics and software updates

Subject to modification in the interest of progress. Illustrations and technical details could include options and not binding for actual constructions. All dimensions subject to usual tolerances.

Presented by:



**Linde Material Handling GmbH**  
Carl-von-Linde-Platz | 63743 Aschaffenburg | Germany  
Phone + 49 6021 99 0 | Fax + 49 6021 99 1570  
www.linde-mh.com | info@linde-mh.com

Printed in Germany | DS\_T14-T16-T18-T20\_1155\_en\_B\_0522