

HIAB X-HIPRO 558 EP-5

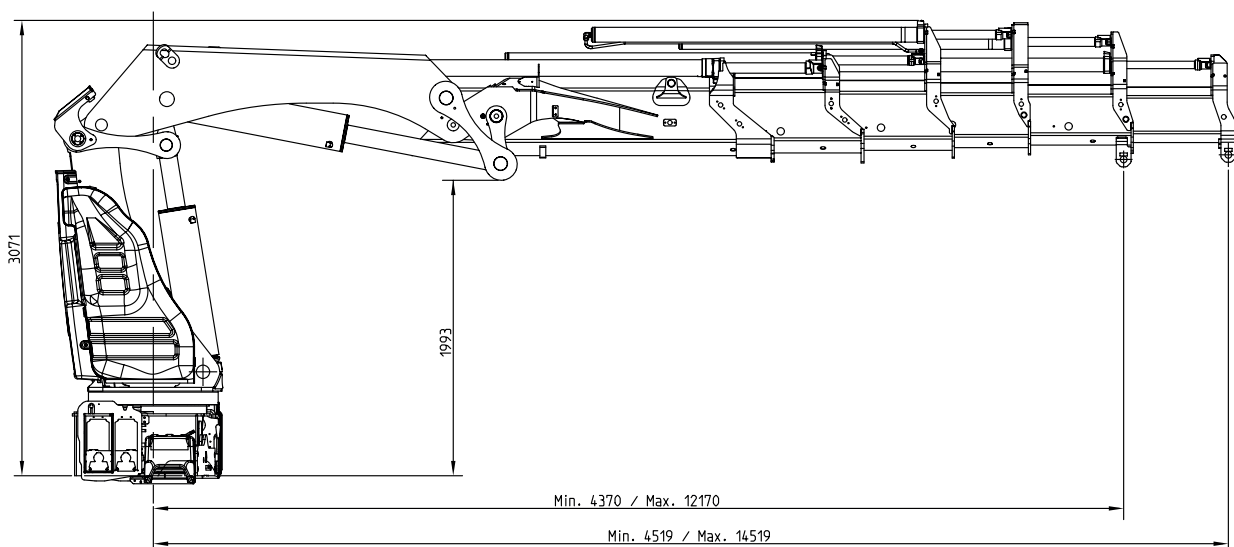


HIAB X-HIPRO 558 EP-5 BASIC DATA

TECHNICAL DATA	HIAB X-HiPro 558EP-5
Lifting capacity, max.(ADC)	487 kNm
Outreach, crane hydraulic extensions	14,5 m
Outreach - Lifting capacity, hydraulic extension First boom 7°, Second boom horizontal"	4,6 / 10800
	6,4 / 7600
	8,3 / 5700
	10,3 / 4500
	12,3 / 3750
14,5 / 3150	
Slewing angle	continuous
Height in folded position	2500 mm
Width in folded position	2546 mm
Installation space needed	1283 mm
Weights:	
Weight, crane in standard version without stabilisers	4562 kg
Weight, frame attachments	78 - 123 kg
Weight, stabiliser equipment	788 - 896 kg

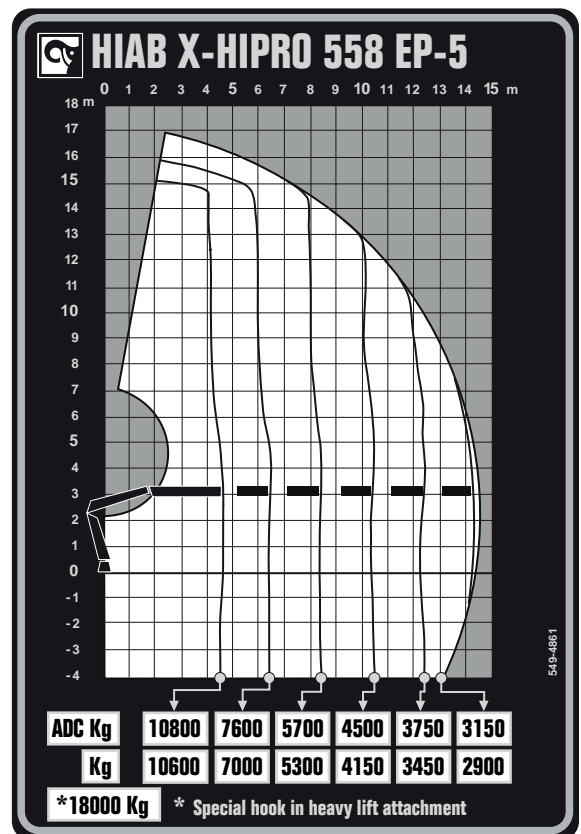
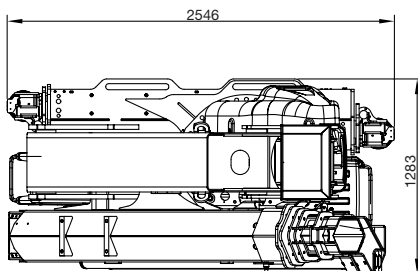
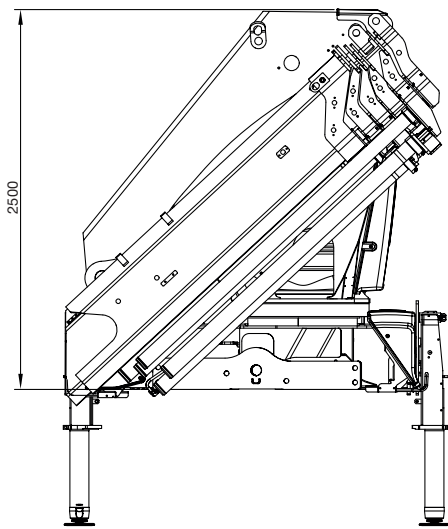
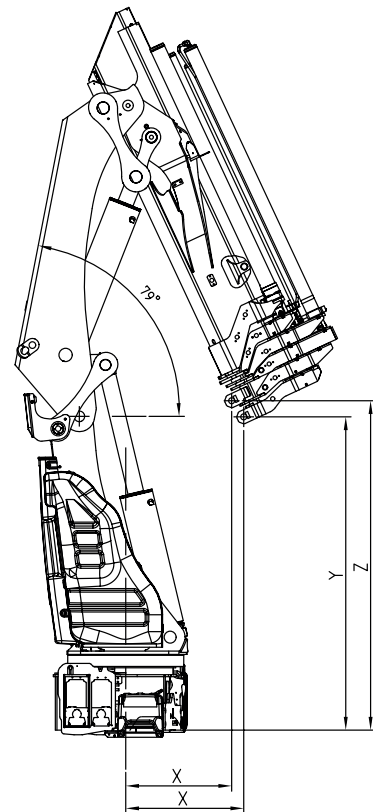
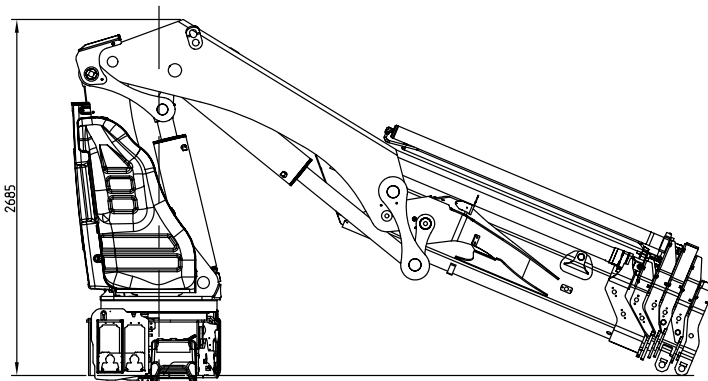
This table show one example of a model, and represents some of all options available. With the opportunity to configure your crane, we can provide you with a crane perfectly tailored to your needs.

Please contact your local dealer for more information on the variety of options we can offer.



HIAB X-HIPRO 558 EP-5

X	Y	Z
700	2300	2451
1000	2406	2565



BUILT TO PERFORM

Hiab is the world's leading provider of on-road load handling equipment. Customer satisfaction is the first priority for us. Hiab's product range includes HIAB loader cranes, JONSERED recycling and forestry cranes, LOGLIFT forestry cranes, MOFFETT truck mounted forklifts and MULTILIFT demountables, as well as DEL, WALTCO and ZEPRO tail lifts.

hiab.com

Hiab is part of Cargotec.

cargotec.com



© BD-XHIPRO558EP5-EN-WWW_160406



hiab.com