

HIAB T-DUO 018



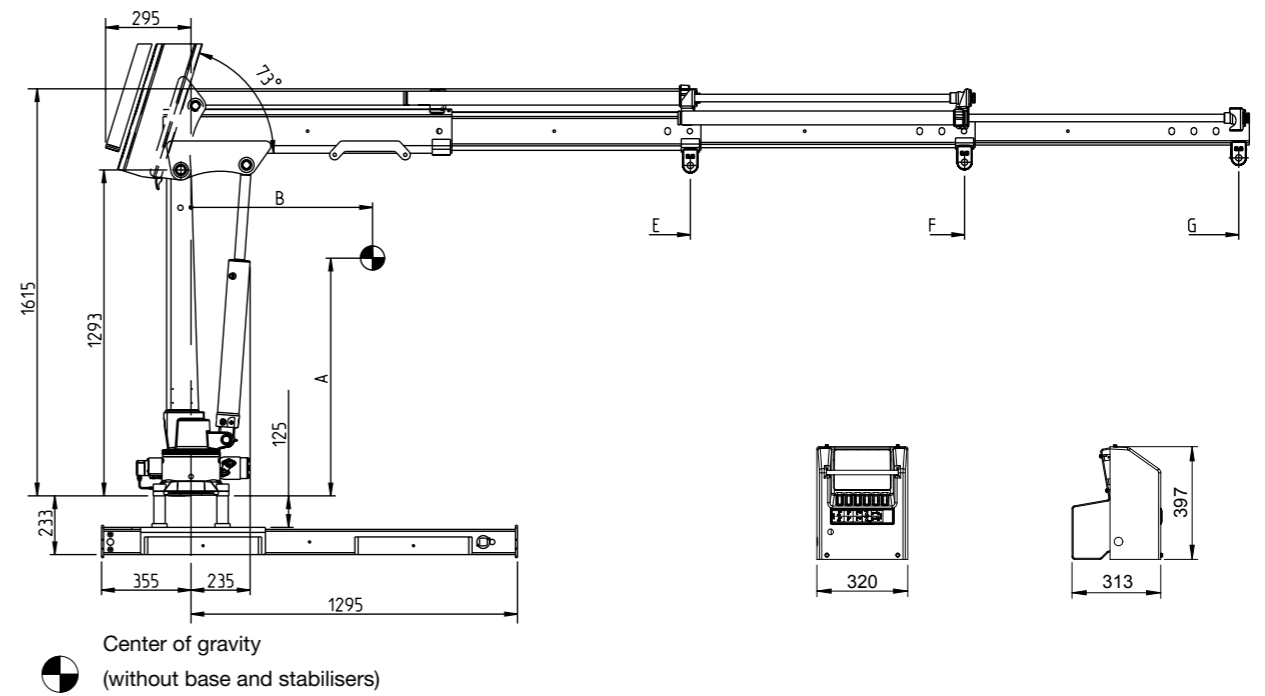
HIAB T-DUO 018 BASIC DATA

Technical data CE/CEN	T-DUO 018-1	T-DUO 018-2	T-DUO 018-3
Max. lifting capacity [kNm]	19	18	19
Lifting capacity [tm]	1,88	1,84	1,86
Outreach / lifting capacity, hydraulic extension (m / kg)	1,1/1700	1,2/1540	1,3/1500
	1,9/990	2,0/920	2,1/910
Outreach / lifting capacity, manual extension (m / kg)		3,0/610	4,1/450
	4,2/440	4,2/430	
Outreach, hydraulic extensions [m]	2	3,1	4,2
Hydraulic boom extensions [m]	0,9	1,9	2,9
Outreach, manual extensions [m]	4,2	4,2	
Lifting height above installation level [m]	3,2	4,3	5,3
Manual lifting height above installation level inc. Manual ext.[m]	5,3	5,3	
Recommended oil flow Lo [l/min]	5	5	5
Power needed at rec. oil flow [kW]	1,5	1,5	1,5
Max. working pressure [MPa]	18,5	18,5	18,5
Tank Capacity PTO [l]	18	18	18
Slewing angle [°]	330	330	330
Max. slope viable at full capacity [°]	7,5	7,4	7
Slewing torque, gross [kNm]	3	3	3
Slewing speed [°/s]	14	14	14
Height in folded position [mm]	1423	1423	1423
Width in folded position staticmounted [mm]	818	818	818
Width in folded position truck mounted beam/with stab beam and tilting [mm]	1650/1894	1650/1894	1650/1894
Installation space needed static mounted [mm]	317	317	317
Installation space needed truck mounted [mm]	426	426	426
Weight, static mounted [kg]	180	210	240
Weight, mounting frame plus 2 short hydr. stabiliser legs [kg]	88	88	88

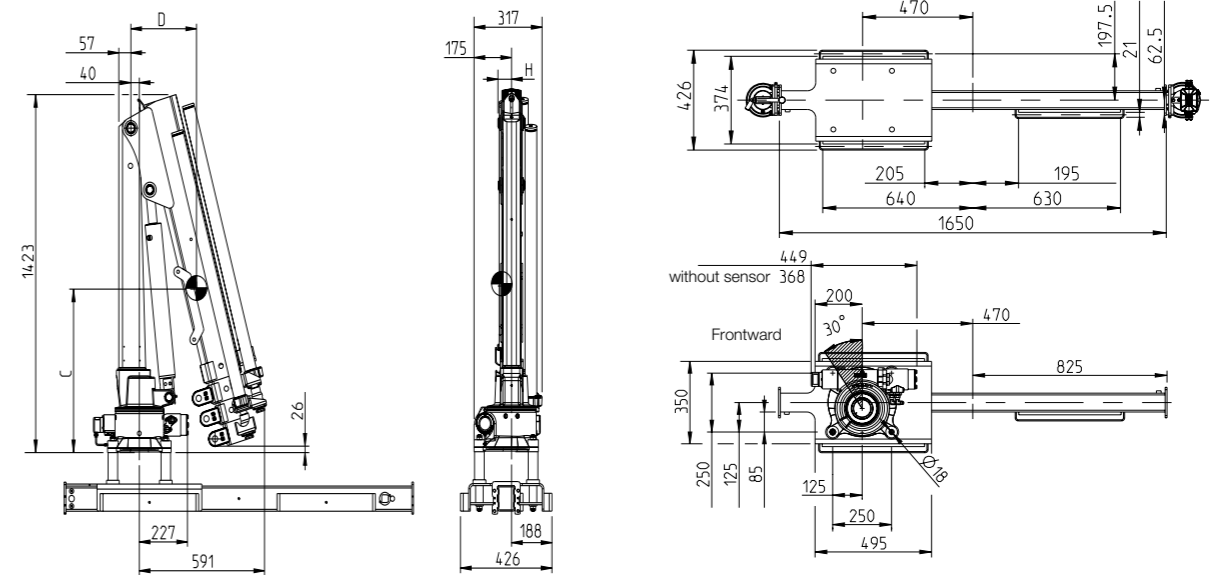
This table shows a few examples of models, and represents some of all options available. With the opportunity to configure your crane, we can provide you with a crane perfectly tailored to your needs.

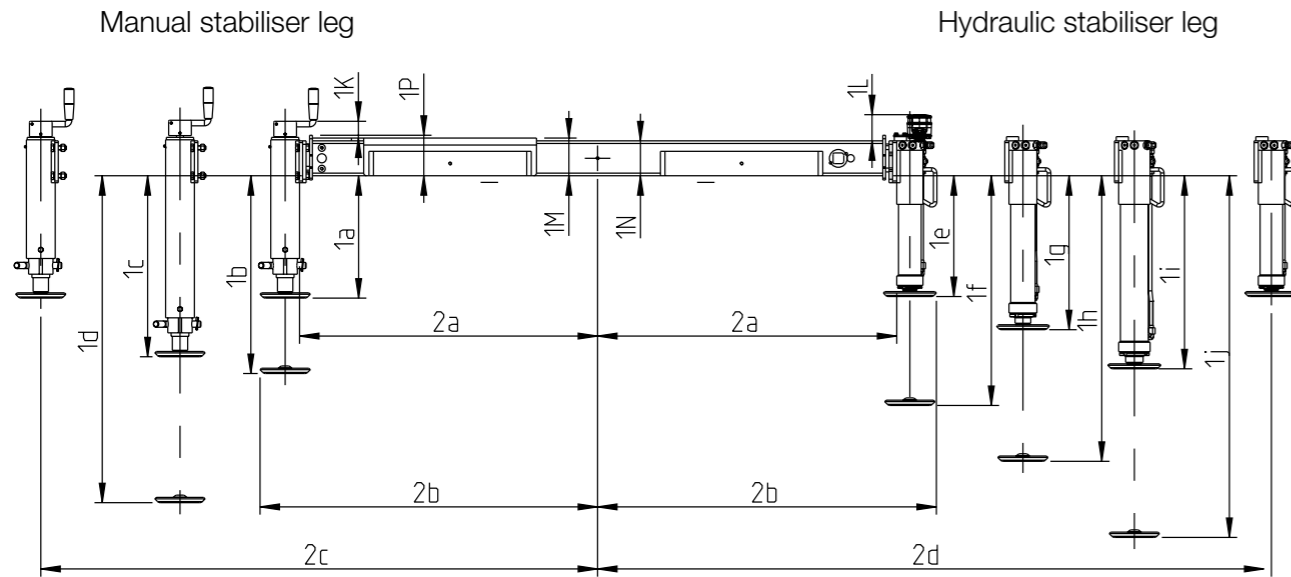
Please contact your local dealer for more information on the variety of options we can offer.

HIAB T-DUO 018

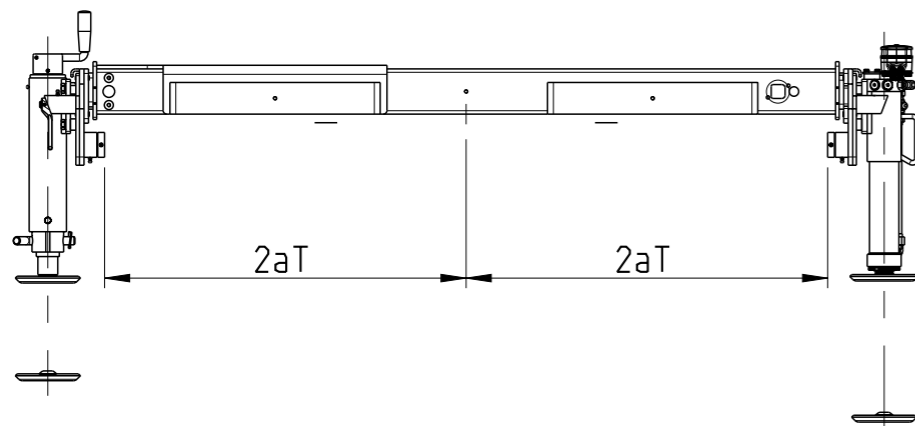


	A	B	C	D	Emin.	Emax.	Fmin.	Fmax.	Gmin.	Gmax.	H
HIAB T-DUO 018-1	770	290	530	70	1075	1981	N/A	N/A	N/A	N/A	10
HIAB T-DUO 018-2	930	570	560	60	1075	1981	1163	3069	N/A	N/A	10
HIAB T-DUO 018-3	1050	880	570	50	1075	1981	1163	3069	1250	4157	10

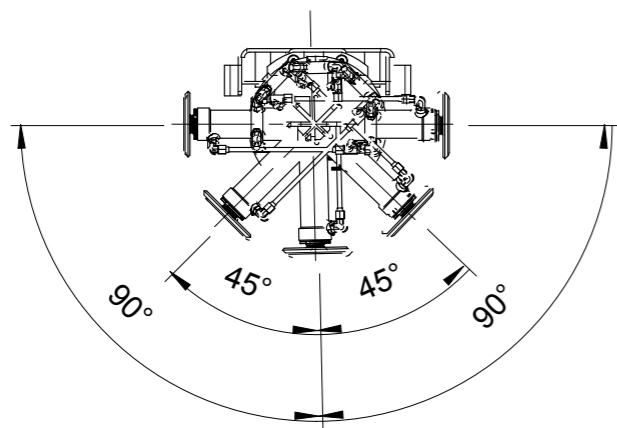




Base with tiltable stabiliser legs



Tiltable stabiliser leg parking poition



Other base dimensions

	Fixed stabiliser leg position	Tiltable stabiliser leg
1K	56	33
1L	75	52
1M	108	
1N	100	
1P	116	

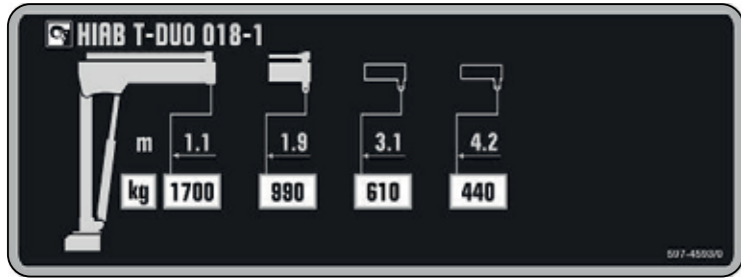
		Stabiliser leg lenght		
		Fixed stabiliser leg	Tiltable stabiliser leg	
Manual stabiliser leg	Short	1a	351	374
		1b	567	590
	Medium	1c	519	542
		1d	937	960
Hydraulic stabiliser leg	Short	1e	346	369
		1f	658	681
	Medium	1g	441	464
		1h	818	841
	Long	1i	553	576
		1j	1036	1059

		Base width		
Mechanical Stabiliser leg	Fixed stabiliser leg	Stabiliser beam length	Stabiliser beam length	
		Short (300 mm)	Medium (800 mm)	
Fixed stabiliser leg position	2a	834	854	
	2b	947	967	
	2c	875	1195	1695
	2d		1195	-
Tiltable stabiliser leg	2aT	780	800	
	2b	977	997	
	2c	905	1225	1725
	2d		1225	-

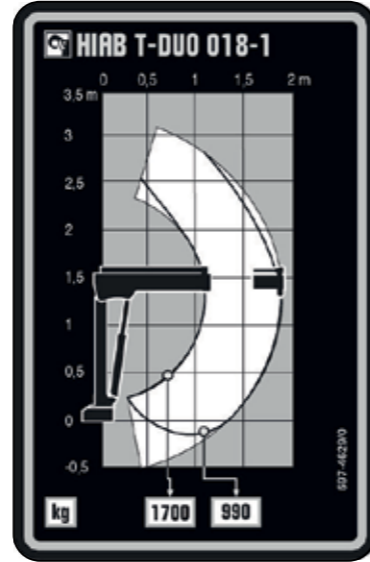
		Base width		
Hydraulic Stabiliser leg	Fixed stabiliser leg	Stabiliser beam length	Stabiliser beam length	
		Short (300 mm)	Medium (800 mm)	
Fixed stabiliser leg position	2a	837	857	
	2b	950	970	
	2c	875	1195	1695
	2d		1195	-
Tiltable stabiliser leg	2aT	780	800	
	2b	981	1001	
	2c	895	1225	1725
	2d		1225	-

HIAB T-DUO 018

Capacity plate HIAB T-DUO 018-1



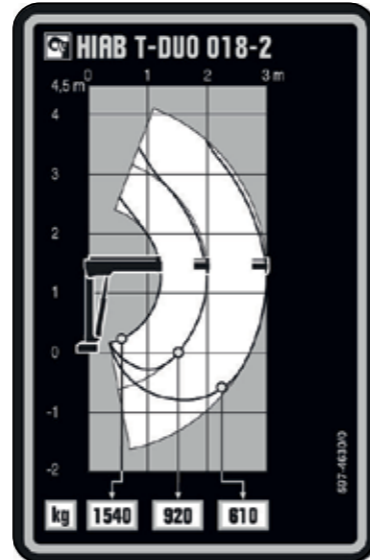
Load diagram HIAB T-DUO 018-1



Capacity plate HIAB T-DUO 018-2



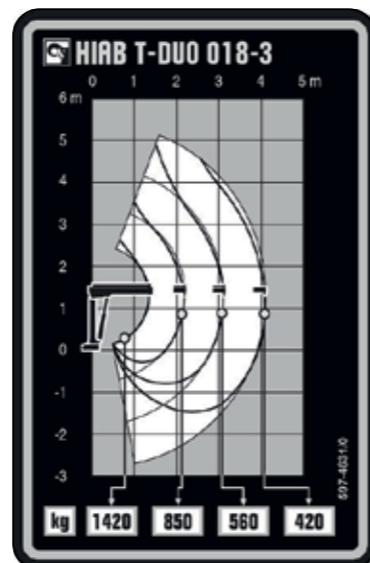
Load diagram HIAB T-DUO 018-2



Capacity plate HIAB T-DUO 018-3



Load diagram HIAB T-DUO 018-3



HIAB T-DUO 018

Notes

BUILT TO PERFORM

Hiab is the world's leading provider of on-road load handling equipment. Customer satisfaction is the first priority for us. Hiab's product range includes HIAB loader cranes, JONSERED recycling and forestry cranes, LOGLIFT forestry cranes, MOFFETT truck mounted forklifts and MULTILIFT demountables, as well as DEL, WALTCO and ZEPRO tail lifts.

hiab.com

Hiab is part of Cargotec.

cargotec.com



© BD-TDU0018-EN-ww_160314



hiab.com